

Accessory

Adapters for mounting meters

Adapters allow installation of panel devices series DL7, DL2, FP70, FP30XX, FP4, FP70P on DIN mounting rail.

DESCRIPTION

The set consists of two plastic elements and four screws with washers.

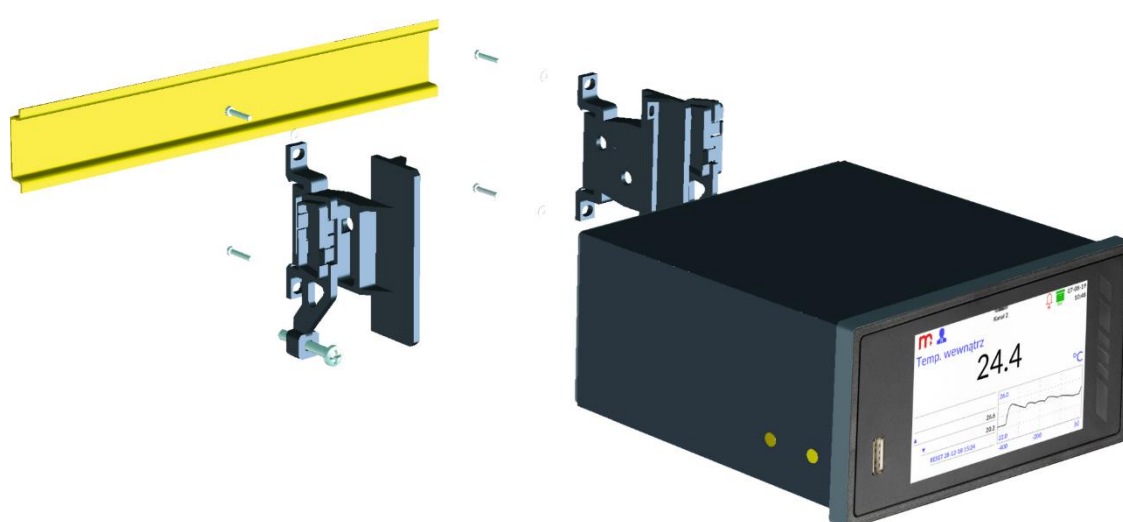
AVAILABLE OPTIONS AND HOW TO ORDER

| Kit designation | Meter height - Gauge type |
|-----------------|---------------------------------|
| 445-701-00 | 48 mm |
| 445-702-00 | 72mm - DL2, FP4, FP3011, FP3021 |
| 445-703-00 | 96 mm - FP3031, FP70P |
| 445-704-00 | 144 mm - DL7 |

COMMENTS

When the kit is installed, the clearance between the meter and the rail is 47 mm.

ASSEMBLY



Version: 230115EN